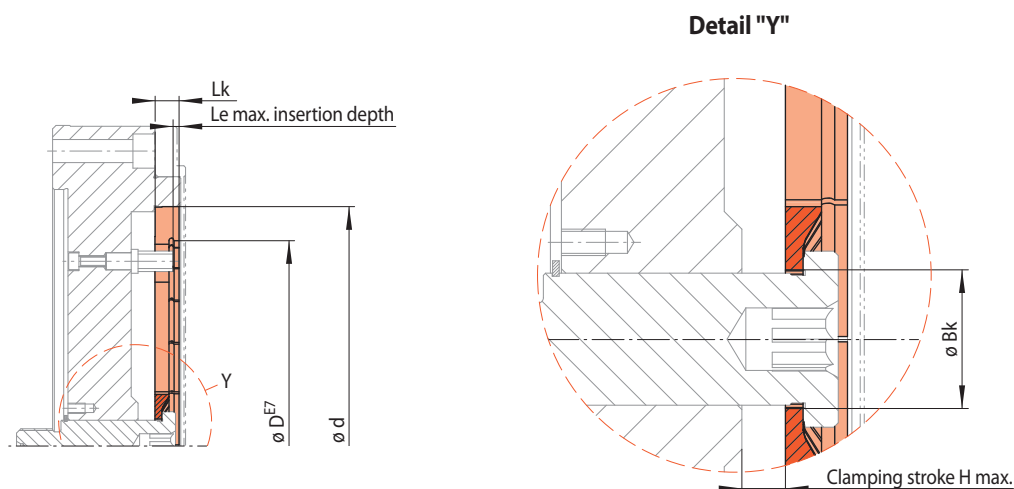


for setup of Flat Element Flange Chucks KFFF
to different clamping diameters within a given size



24-1

Size KFF ...	Achievable clamping diameter	Maximum diameter change**	Max. transmissible torque***	Max. actuating force***	Bk	H max. ****	Le max.	Lk	Art.-No.
d mm	D* mm	Δ D mm	M ¹⁾ Nm	F N	mm	mm	mm	mm	1190-
42	30 - 36	0,15	20 - 24	2700	10,5	1,0	2	6	042002
47	35 - 41	0,15	54 - 61	5900	10,5	1,0	2	6	047002
52	40 - 46	0,15	69 - 78	5700	10,5	1,2	2	6	052002
62	45 - 54	0,20	120 - 140	9800	12,5	1,4	3	8	062002
70	52 - 62	0,20	155 - 185	9500	12,5	1,8	3	8	070002
80	62 - 72	0,21	215 - 245	9200	12,5	2,2	3	8	080002
90	72 - 80	0,21	280 - 310	8950	12,5	2,6	3	8	090002
100	80 - 90	0,27	440 - 490	14200	16,5	2,8	4	10	100002
110	90 - 100	0,27	550 - 610	14200	16,5	3,2	5	10	110002
120	100 - 110	0,27	680 - 740	14200	16,5	3,6	5	10	120002
130	110 - 120	0,30	730 - 780	13750	16,5	4,0	5	10	130002
140	120 - 130	0,33	780 - 840	13750	16,5	4,4	5	10	140002
155	130 - 140	0,36	1250 - 1300	19600	21,0	4,8	6	12	155002
170	140 - 155	0,40	1350 - 1500	19600	21,0	5,4	6	12	170002
185	155 - 170	0,46	1450 - 1600	19600	21,0	6,1	6	12	185002
200	170 - 185	0,50	1650 - 1750	19600	21,0	6,7	6	12	200002
220	185 - 200	0,56	1750 - 1850	18650	21,0	7,2	6	12	220002
240	200 - 220	0,50	2950 - 3350	29450	31,5	8,0	6	14	240002
260	220 - 240	0,66	3650 - 3900	33350	31,5	9,0	6	14	260002
280	240 - 260	0,73	4050 - 4350	34350	31,5	10,0	6	14	280002
300	260 - 280	0,74	4700 - 5050	34350	31,5	11,0	6	14	300002
325	280 - 300	0,74	4800 - 5200	29450	31,5	12,0	6	16	325002
350	300 - 325	0,74	5600 - 6100	29450	31,5	13,0	6	16	350002
375	325 - 350	0,74	6600 - 7150	29450	31,5	14,0	6	16	375002
400	350 - 375	0,86	6200 - 6700	29450	52,0	14,0	6	18	400002
425	375 - 400	0,86	7200 - 7700	29450	52,0	15,0	6	18	425002
455	400 - 425	0,86	8250 - 8750	29450	52,0	16,0	6	18	455002
485	425 - 455	0,98	6900 - 7400	24550	52,0	16,0	6	20	485002
520	455 - 485	0,98	7950 - 8450	24550	52,0	19,5	6	20	520002
560	485 - 520	0,98	9150 - 9850	24550	52,0	21,0	6	20	560002

* Clamping diameter adjustable to two places after the decimal point. ** of the clamping diameter of the Clamping Element. *** for clamping with pull-back action.

**** Clamping stroke H max. describes the load limit of the Clamping Element while activation without component.

¹⁾ The lower value refers to the smallest clamping diameter of the respective size, the higher value to the largest. For values between the two can be determined through interpolation.

Example for ordering

Please indicate the size of the Clamping Element and the clamping diameter of your component, including component tolerance, in your order:

Size: KFF 62
Clamping diameter: 50,47 mm
Component tolerance: h6

➔ KFF 62-50,47h6