

The pull only cable for the transfer of pulling forces is generally manufactured for a specific application case of the individual customer, manufacturer drawings or models.

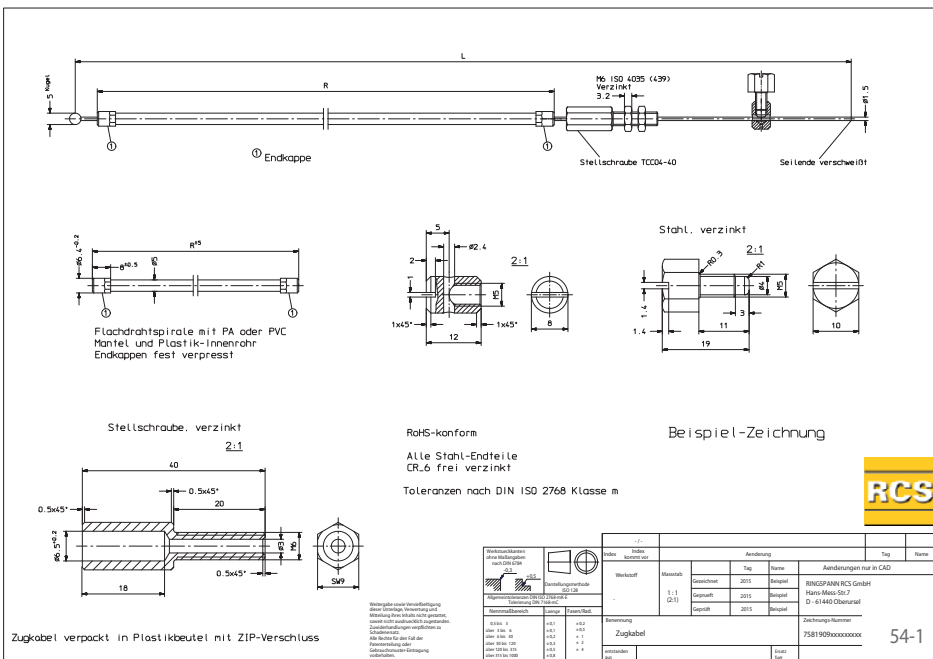
The exemplary end parts on display on the following pages reflect the wide variety of possibilities for combination.

Exact dimensions and customer-tailored end parts are available upon request.

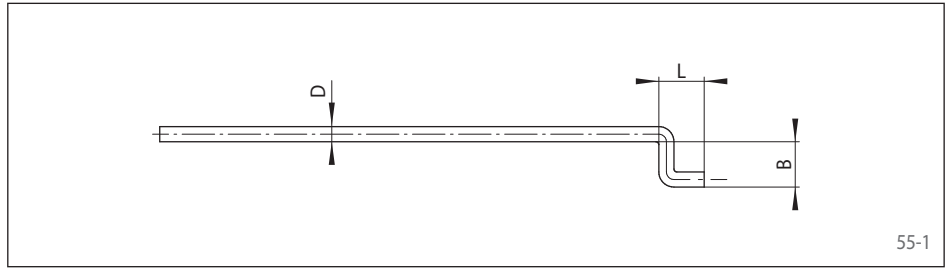
54-1

### Sample sketches for pull only cables

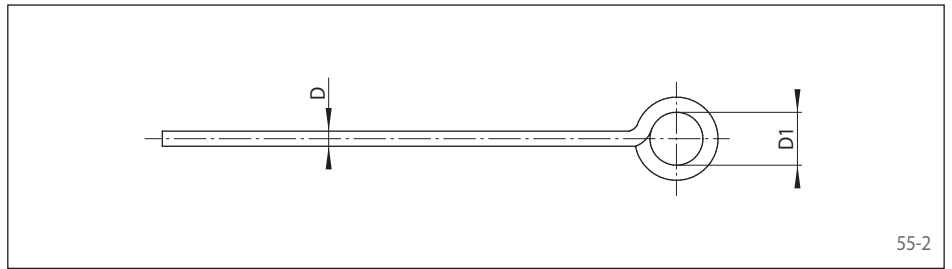
- Pull only cable with end caps and one-sided adjusting pin
- Steel cable with a ball end and screw nipple
- For the flexible transmission of pull force and travel
- Deviating designs can be manufactured upon request



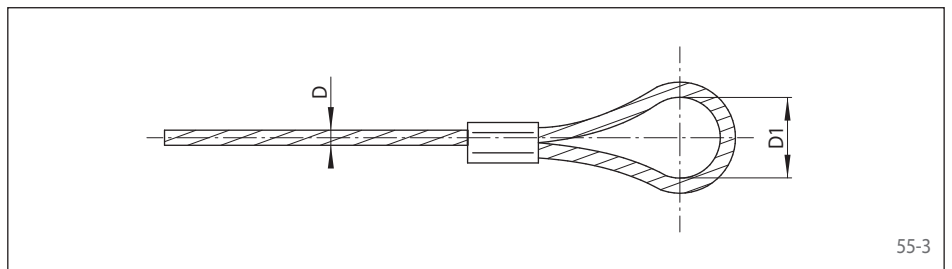
### Z-wire end



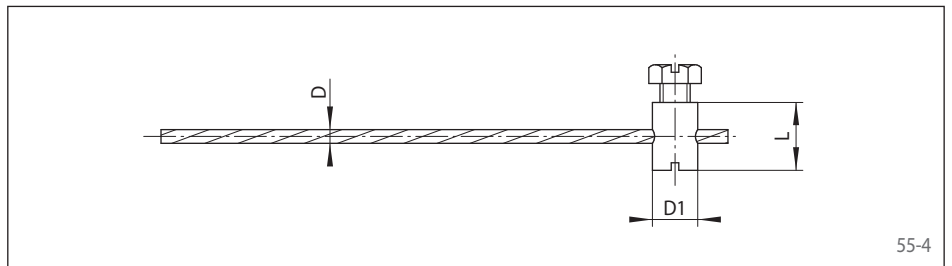
### Wire spiral



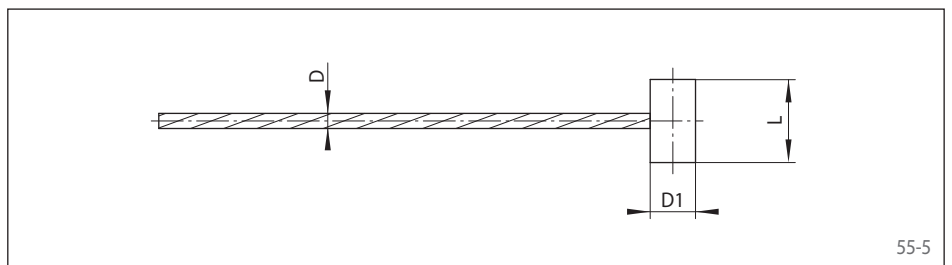
### Loop end



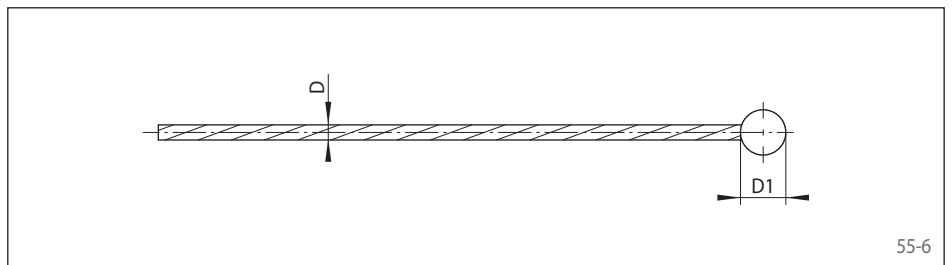
### Screw nipple



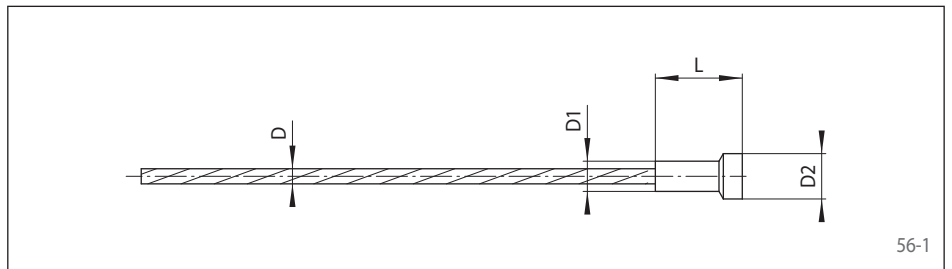
### Barrel nipple



### Ball

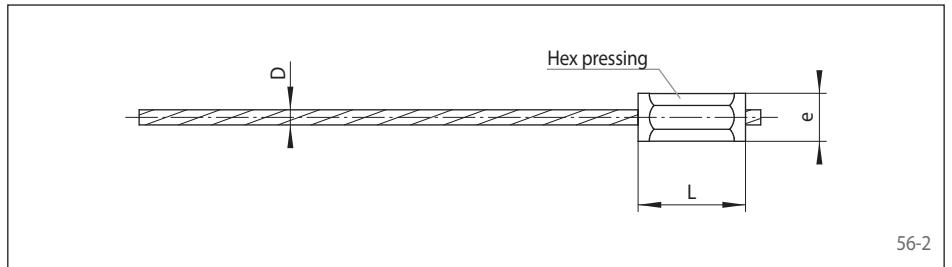


### B-nipple



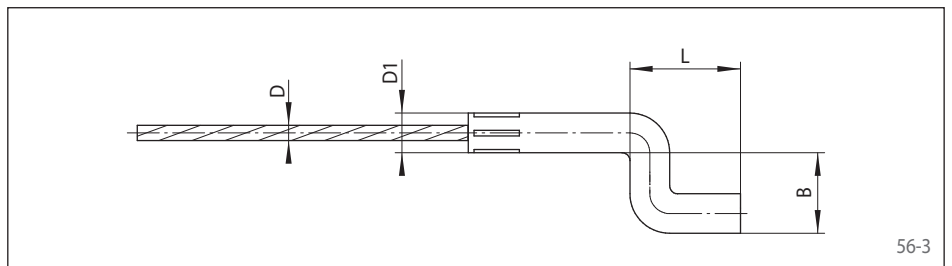
56-1

### Longitudinal nipple



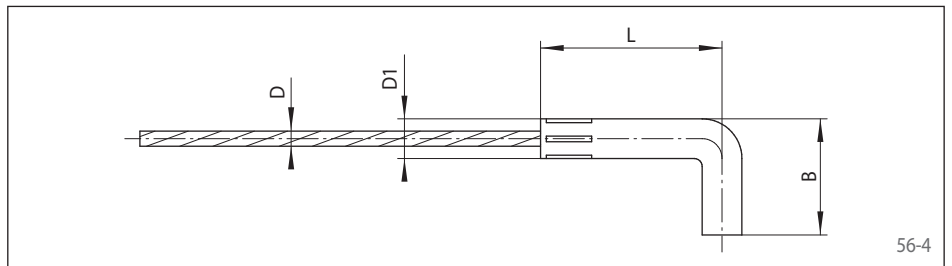
56-2

### Z-nipple



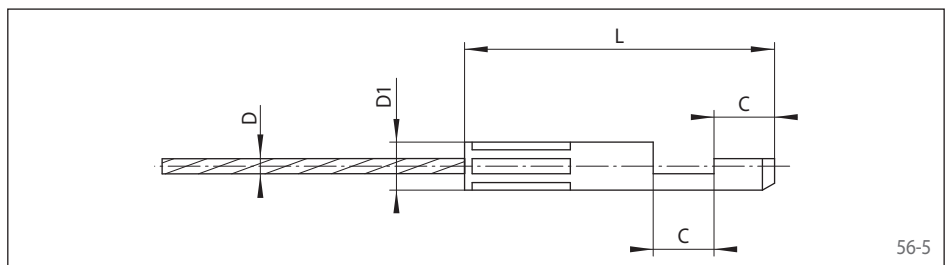
56-3

### Hook



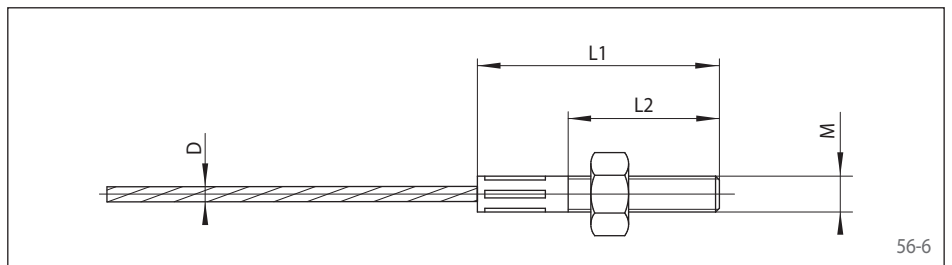
56-4

### Quick release joint



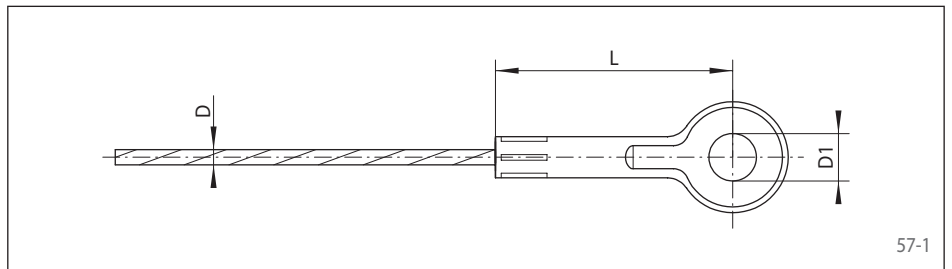
56-5

### Rod end with thread

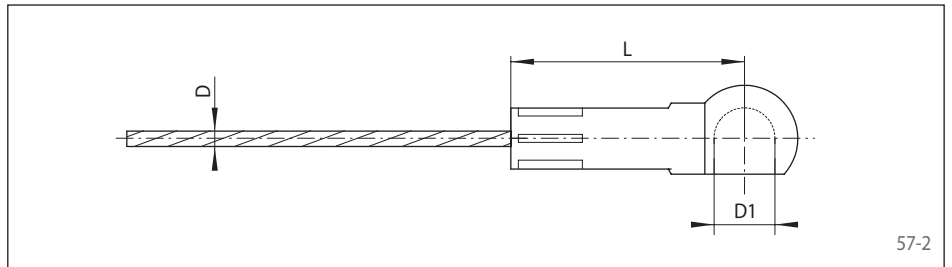


56-6

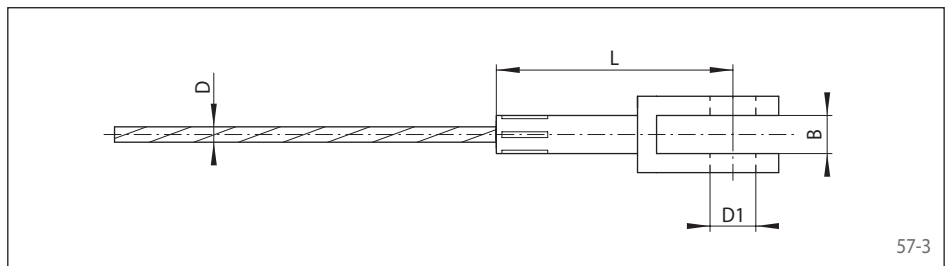
### Drawbar eye



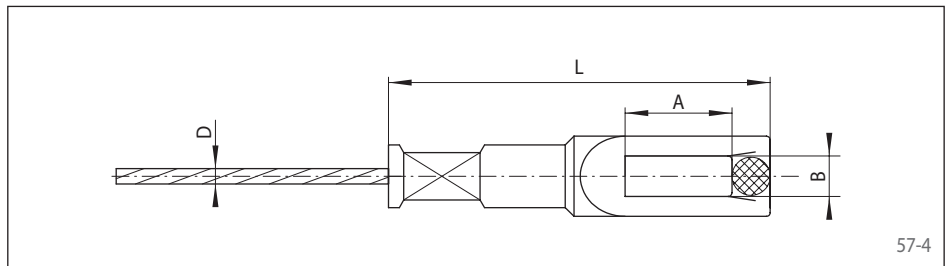
### Ball socket



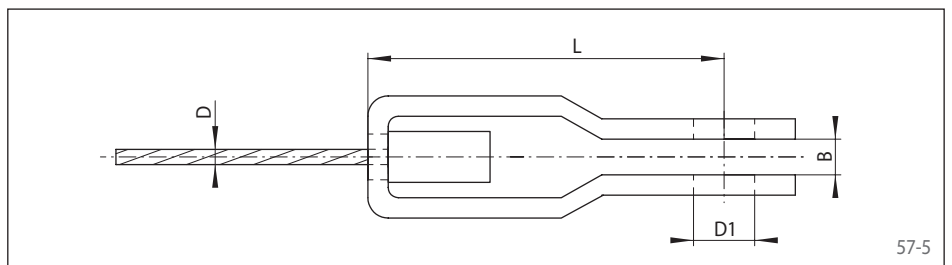
### Clevis



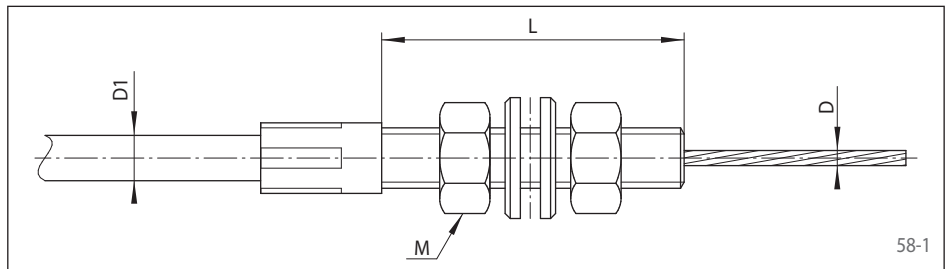
### Tension strap



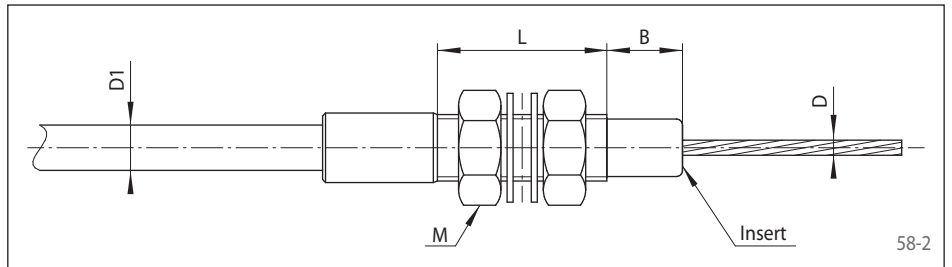
### Metal strap



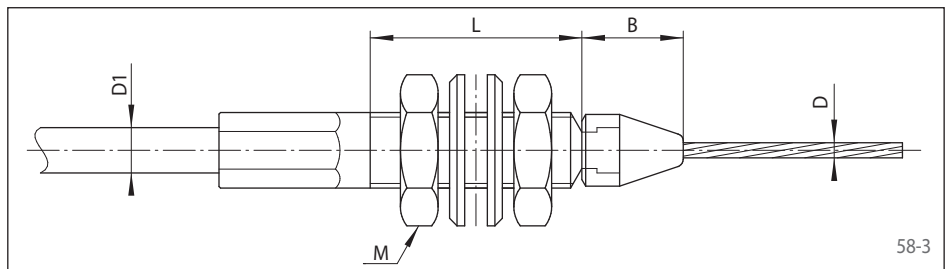
### Thread cap



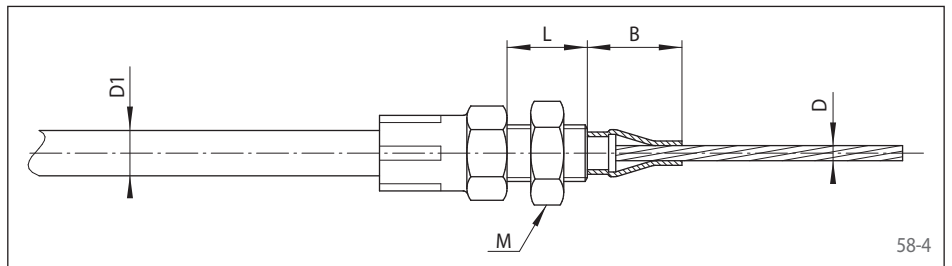
### Thread cap with insert



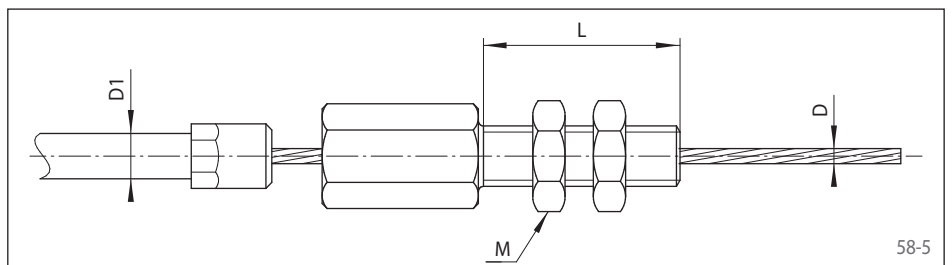
### Base cap with seal



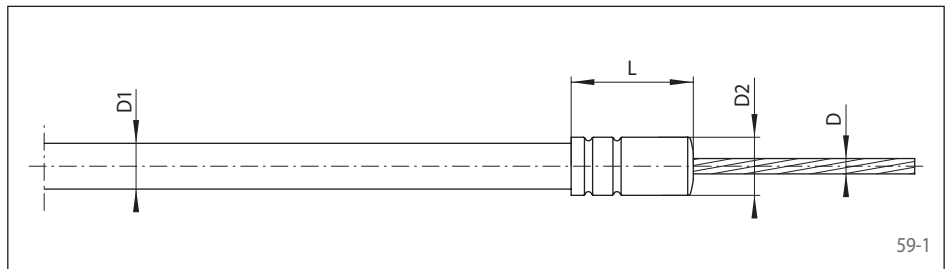
### Base cap with rubber seal



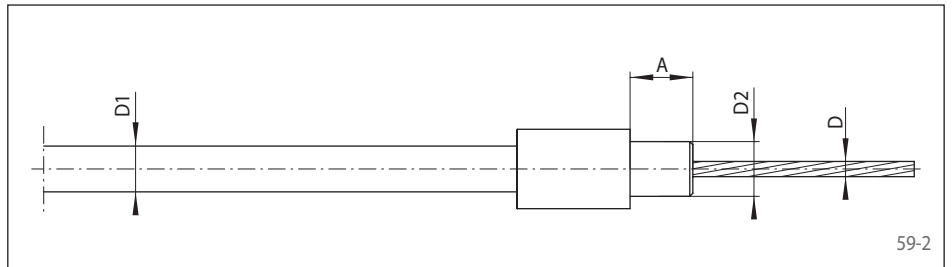
### Adjusting screw



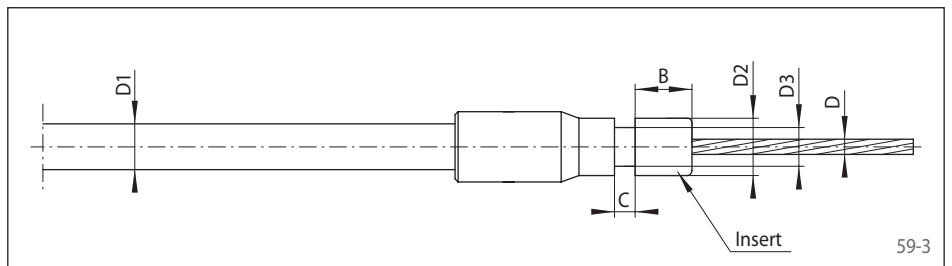
### End cap



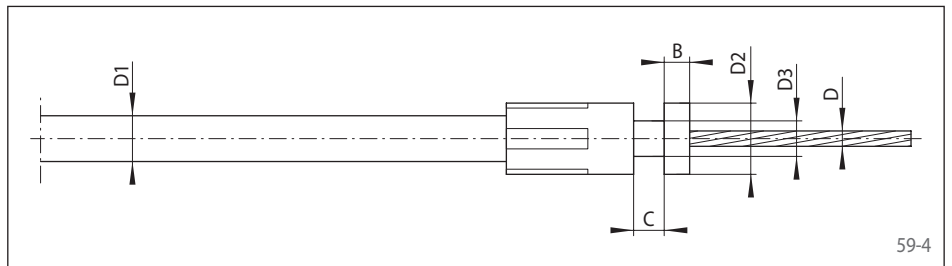
### Base cap



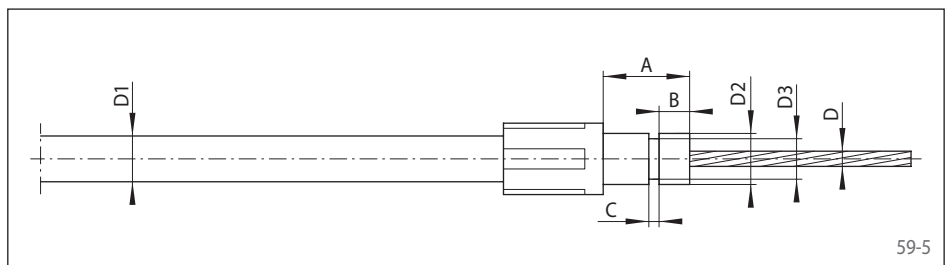
### Clamp endfitting with front end insert



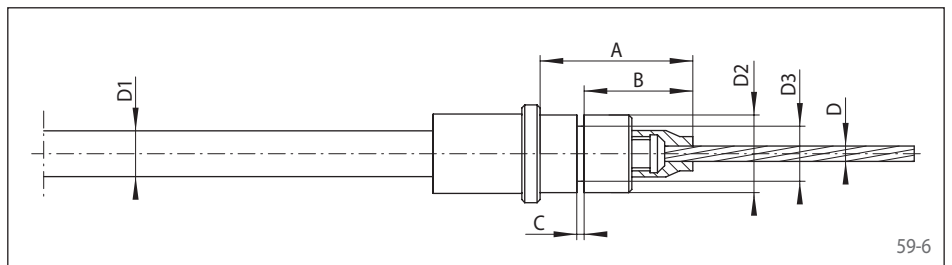
### Clamp endfitting



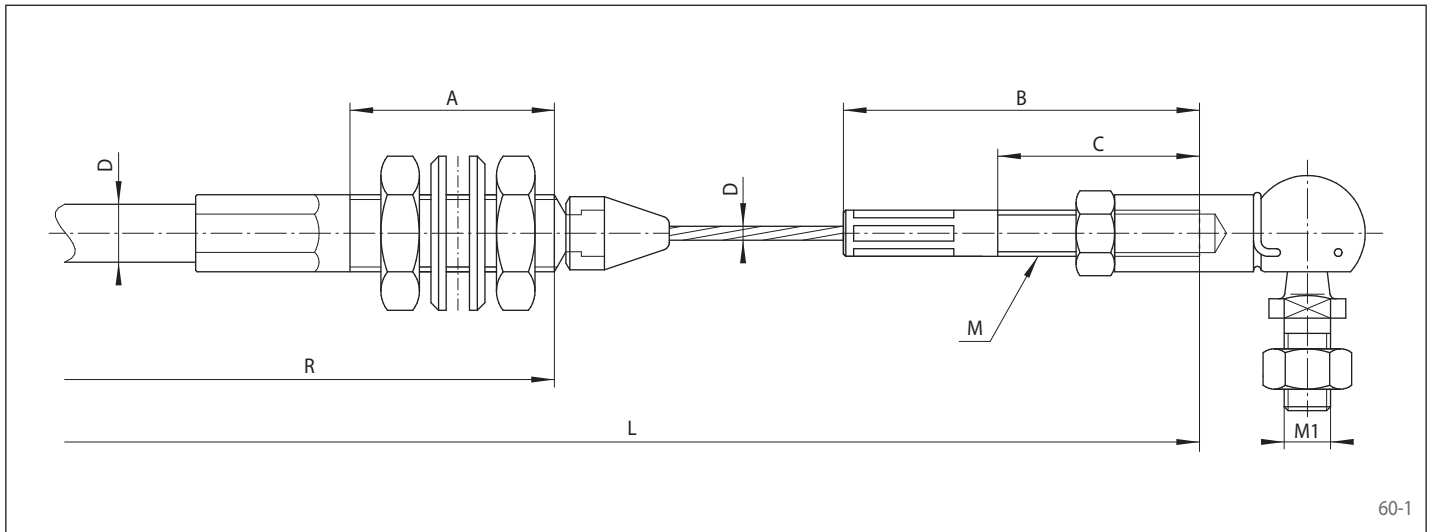
### Base cap for safety clip



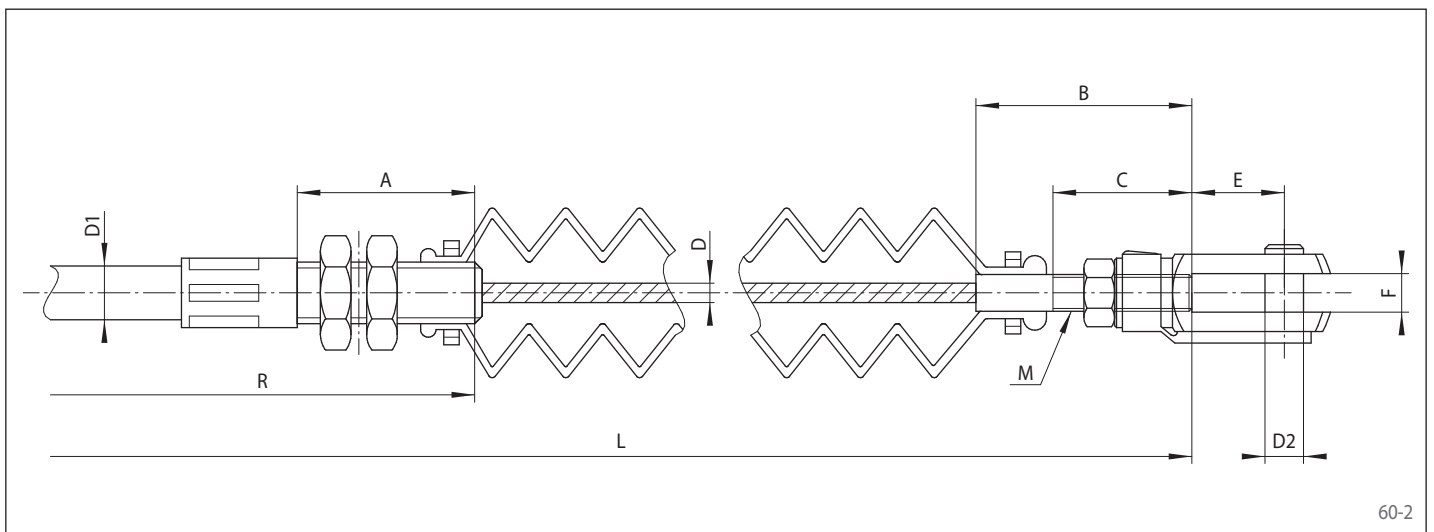
### Base cap for safety clip with seal



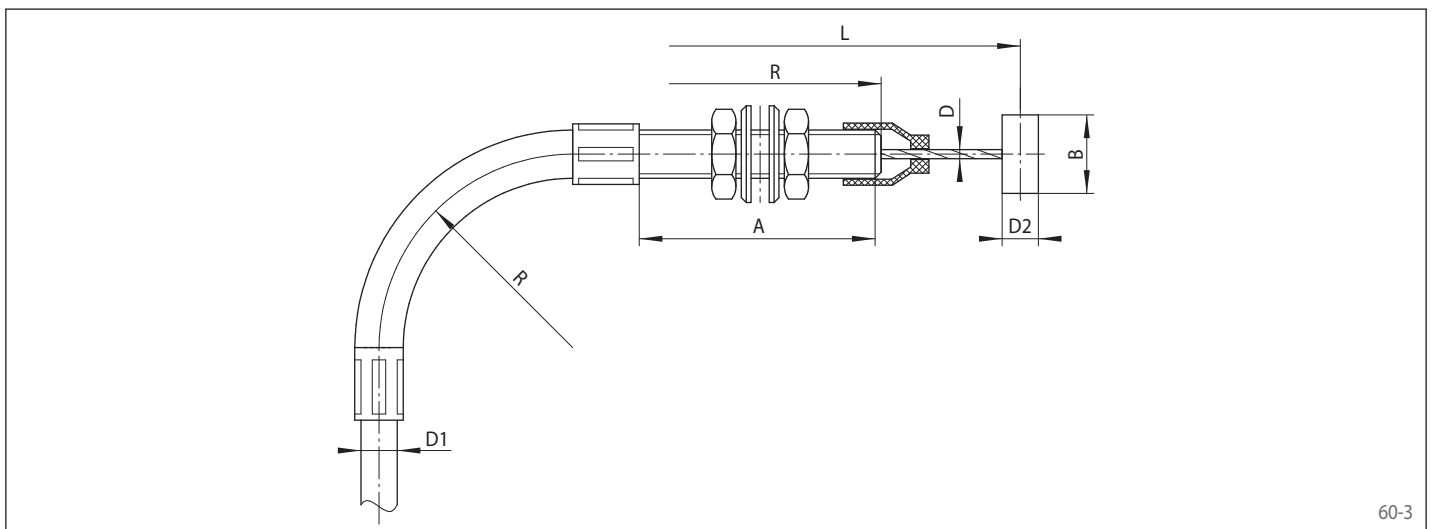
### Bulkhead endfitting with wiper seal



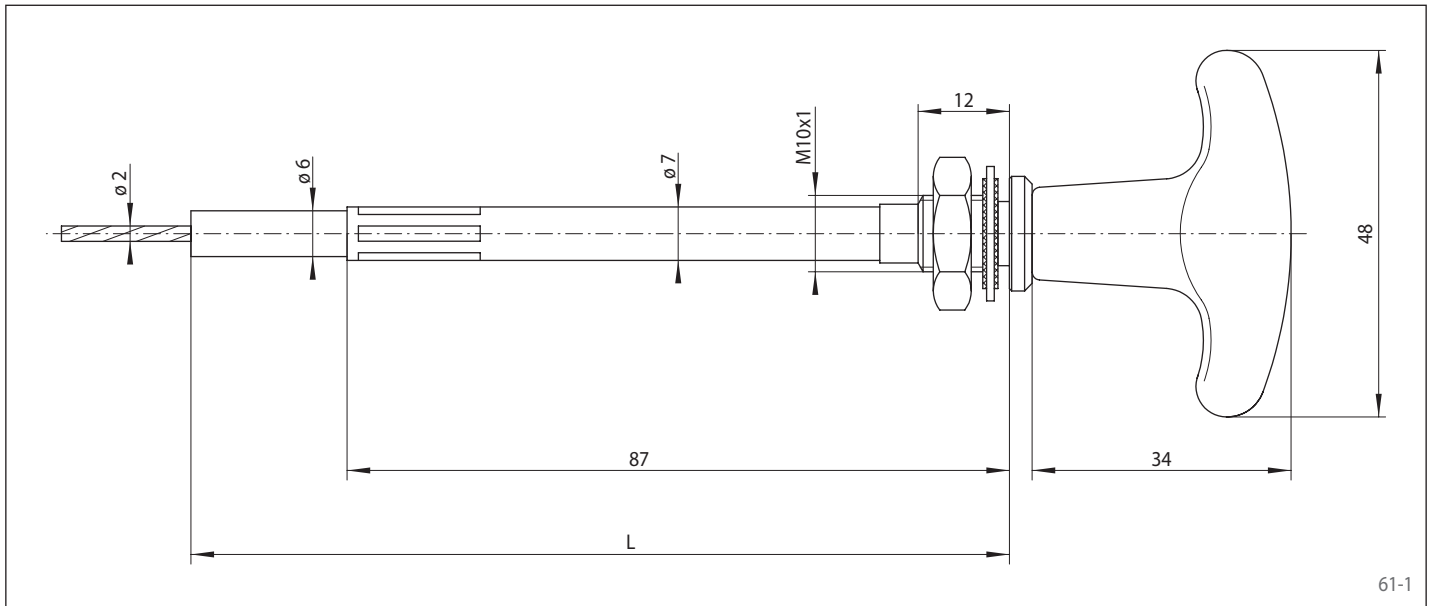
### Bulkhead endfitting with bellow



### Bulkhead endfitting with tube end



### Travel 60 mm



### Travel 45 mm

